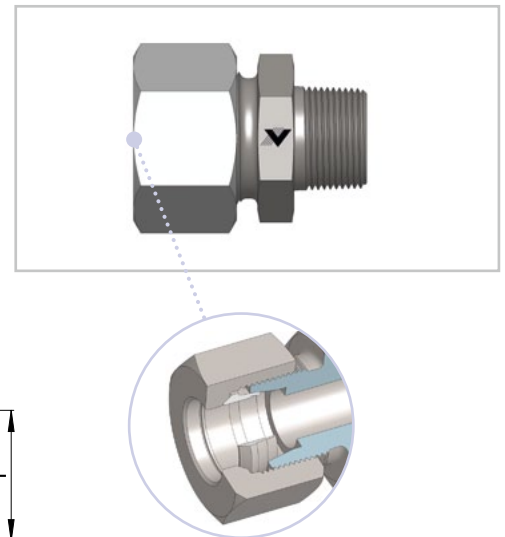
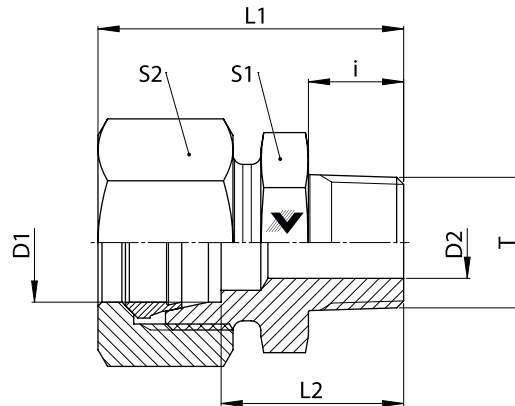


**GEV - R - keg.**

- Gerade Einschraubverschraubung
- L-Reihe
- Gewinde: Whitworth-Rohrgewinde keg.

- Male Stud Connector
- L Series
- Thread: BSPT

**GEV - R - keg.****Baureihe  
Series**

|          | <b>D1</b><br>mm | <b>T</b>     | <b>D2</b><br>mm | <b>L1*</b><br>mm | <b>L2</b><br>mm | <b>i</b><br>mm | <b>S1</b><br>mm | <b>S2</b><br>mm | <b>Gewicht<br/>Weight</b><br>g | <b>PN</b><br>bar     | <b>Bezeichnung<br/>Name</b> | <b>Artikel-Nr.<br/>Article No.</b> |
|----------|-----------------|--------------|-----------------|------------------|-----------------|----------------|-----------------|-----------------|--------------------------------|----------------------|-----------------------------|------------------------------------|
| <b>L</b> | 18              | R 3/8 keg.   | 9               | 40               | 23,5            | 12             | 27              | 32              | 123                            | 315                  | GEV 18 LR 3/8 keg.          | 102600                             |
|          | 18              | R 1/2 keg.   | 14              | 42               | 25,5            | 14             | 27              | 32              | 132                            | 315                  | GEV 18 LR 1/2 keg.          | 102602                             |
|          | 18              | R 3/4 keg.   | 14              | 45               | 28,5            | 17             | 27              | 32              | 138                            | 315                  | GEV 18 LR 3/4 keg.          | 102597                             |
|          | 22              | R 3/8 keg.   | 9               | 58               | 25,5            | 12             | 32              | 36              | 164                            | 160                  | GEV 22 LR 3/8 keg.          | 123846                             |
|          | 22              | R 1/2 keg.   | 15              | 60               | 25,5            | 14             | 32              | 36              | 172                            | 160                  | GEV 22 LR 1/2 keg.          | 123847                             |
|          | 22              | R 3/4 keg.   | 19              | 47               | 30,5            | 17             | 32              | 36              | 188                            | 160                  | GEV 22 LR 3/4 keg.          | 102659                             |
|          | 22              | R 1 keg.     | 19              | 50               | 33,5            | 20             | 36              | 36              | 199                            | 160                  | GEV 22 LR 1 keg.            | 123848                             |
|          | 28              | R 1/2 keg.   | 14              | 48               | 31,5            | 14             | 36              | 41              | 218                            | 160                  | GEV 28 LR 1/2 keg.          | 123849                             |
|          | 28              | R 3/4 keg.   | 19              | 51               | 34,5            | 17             | 36              | 41              | 228                            | 160                  | GEV 28 LR 3/4 keg.          | 123850                             |
|          | 28              | R 1 keg.     | 24              | 51               | 34,5            | 20             | 41              | 41              | 252                            | 160                  | GEV 28 LR 1 keg.            | 102704                             |
|          | 28              | R 1.1/4 keg. | 24              | 55               | 38,5            | 20             | 46              | 41              | 286                            | 160                  | GEV 28 LR 1.1/4 keg.        | 123851                             |
|          | 35              | R 1 keg.     | 19              | 56               | 34,5            | 20             | 46              | 50              | 377                            | 160                  | GEV 35 LR 1 keg.            | 123852                             |
|          | 35              | R 1.1/4 keg. | 30              | 56               | 34,5            | 20             | 46              | 50              | 395                            | 160                  | GEV 35 LR 1.1/4 keg.        | 102748                             |
|          | 35              | R 1.1/2 keg. | 30              | 78               | 34              | 22             | 50              | 50              | 445                            | 160                  | GEV 35 LR 1.1/2 keg.        | 123853                             |
| 42       | R 1.1/4 keg.    | 30           | 59              | 36               | 20              | 55             | 60              | 549             | 160                            | GEV 42 LR 1.1/4 keg. | 102778                      |                                    |
| 42       | R 1.1/2 keg.    | 36           | 59              | 36               | 20              | 55             | 60              | 574             | 160                            | GEV 42 LR 1.1/2 keg. | 102780                      |                                    |

\*Gerundete Werte / approx. Dimensions