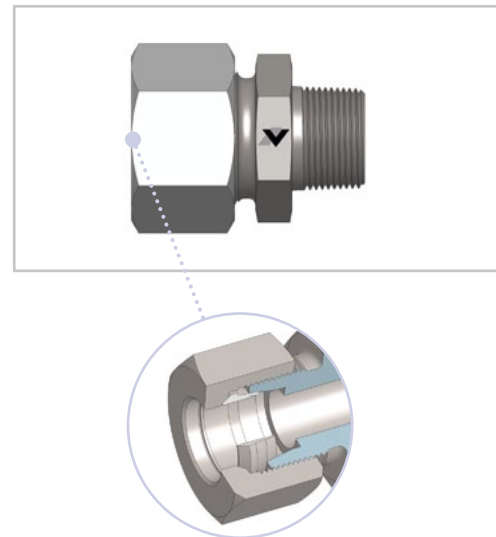
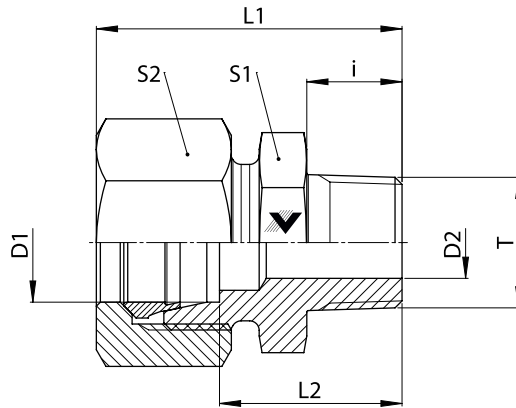


GEV - R - keg.

- Gerade Einschraubverschraubung
- L-Reihe
- Gewinde: Whitworth-Rohrgewinde keg.

- Male Stud Connector
- L Series
- Thread: BSPT



GEV - R - keg.

Baureihe Series	D1 mm	T	D2 mm	L1* mm	L2 mm	i mm	S1 mm	S2 mm	Gewicht Weight g	PN bar	Bezeichnung Name	Artikel-Nr. Article No.
LL	4	R 1/8 keg.	3	27	18	8	11	10	12	100	GEV 04 LLR 1/8 keg.	102188
	6	R 1/8 keg.	4,5	26	14,5	8	11	12	15	100	GEV 06 LLR 1/8 keg.	102207
	8	R 1/8 keg.	5	28	16,5	8	12	14	18	100	GEV 08 LLR 1/8 keg.	102276
	8	R 1/4 keg.	6	32	21	12	14	14	26	100	GEV 08 LLR 1/4 keg.	102275
	10	R 1/4 keg.	7	34	20,5	12	14	17	28	100	GEV 10 LLR 1/4 keg.	102337
L	6	R 1/8 keg.	4	31	16	8	12	14	23	315	GEV 06 LR 1/8 keg.	102234
	6	R 1/4 keg.	4	35	20	12	14	14	27	315	GEV 06 LR 1/4 keg.	102226
	6	R 3/8 keg.	4	36	21	12	19	14	30	315	GEV 06 LR 3/8 keg.	102232
	6	R 1/2 keg.	4	38	23	14	22	14	32	315	GEV 06 LR 1/2 keg.	102222
	8	R 1/8 keg.	4	33	18	8	14	17	32	315	GEV 08 LR 1/8 keg.	102294
	8	R 1/4 keg.	6	35	20	12	17	17	39	315	GEV 08 LR 1/4 keg.	102302
	8	R 3/8 keg.	6	36	21	12	19	17	42	315	GEV 08 LR 3/8 keg.	102300
	8	R 1/2 keg.	6	38	23	14	22	17	47	315	GEV 08 LR 1/2 keg.	102291
	10	R 1/8 keg.	4	32	17	8	17	19	41	315	GEV 10 LR 1/8 keg.	102358
	10	R 1/4 keg.	7	36	21	12	17	19	45	315	GEV 10 LR 1/4 keg.	102367
	10	R 3/8 keg.	8	36	21	12	19	19	51	315	GEV 10 LR 3/8 keg.	102364
	10	R 1/2 keg.	8	38	23	14	24	19	56	315	GEV 10 LR 1/2 keg.	102355
	12	R 1/8 keg.	4	33	18	8	19	22	79	315	GEV 12 LR 1/8 keg.	102429
	12	R 1/4 keg.	7	37	22	12	19	22	82	315	GEV 12 LR 1/4 keg.	102426
	12	R 3/8 keg.	9	37	22	12	19	22	84	315	GEV 12 LR 3/8 keg.	102435
	12	R 1/2 keg.	10	39	24	14	22	22	89	315	GEV 12 LR 1/2 keg.	102423
	12	R 3/4 keg.	10	43	28	17	27	22	99	315	GEV 12 LR 3/4 keg.	102432
	15	R 1/4 keg.	7	38	23	12	24	27	87	315	GEV 15 LR 1/4 keg.	102519
	15	R 3/8 keg.	9	30	23	12	24	27	96	315	GEV 15 LR 3/8 keg.	102531
	15	R 1/2 keg.	12	40	25	14	24	27	106	315	GEV 15 LR 1/2 keg.	102534
15	R 3/4 keg.	12	44	29	17	27	27	117	315	GEV 15 LR 3/4 keg.	102527	

*Gerundete Werte / approx. Dimensions