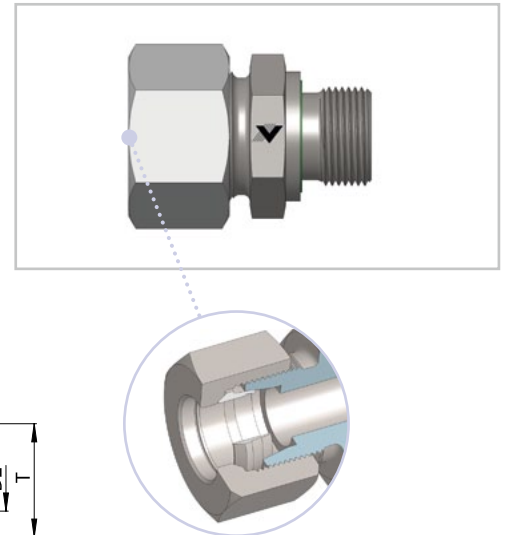
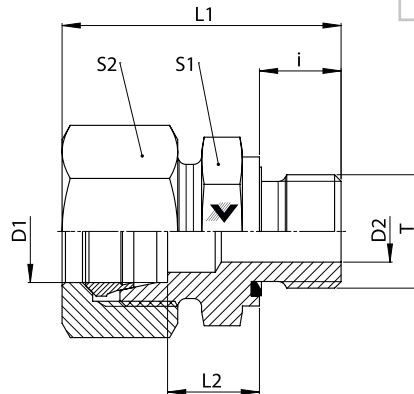


GEV - R - WD

- Gerade Einschraubverschraubung
- S-Reihe
- Gewinde: Whitworth-Rohrgewinde zyl.
- Abdichtung durch Viton Profildichtung DIN 3869

- Male Stud Connector
- S Series
- Thread: BSPP
- Sealing by Viton profile ring DIN 3869

**GEV - R - WD**

Baureihe Series	D1 mm	T	D2 mm	L1* mm	L2 mm	i mm	S1 mm	S2 mm	Gewicht Weight g	PN bar	Bezeichnung Name	Artikel-Nr. Article No.
S	14	G 3/8"	8	48	18,5	12	22	27	13	630	GEV 14 SR 3/8" WD	102491
	14	G 1/2"	10	51	19	14	27	27	15	630	GEV 14 SR 1/2" WD	102492
	14	G 3/4"	10	55	21	16	32	27	20	630	GEV 14 SR 3/4" WD	102489
	16	G 1/4"	7	48	17,5	12	27	30	15	400	GEV 16 SR 1/4" WD	102558
	16	G 3/8"	8	48	18	12	27	30	16	400	GEV 16 SR 3/8" WD	102565
	16	G 1/2"	12	51	18,5	14	27	30	17	400	GEV 16 SR 1/2" WD	102566
	16	G 3/4"	12	55	20,5	16	32	30	22	400	GEV 16 SR 3/4" WD	102563
	16	G 1"	12	57	22,5	18	41	30	32	400	GEV 16 SR 1" WD	102561
	20	G 3/8"	8	53	20	12	32	36	25	400	GEV 20 SR 3/8" WD	102627
	20	G 1/2"	12	56	20,5	14	32	36	26	400	GEV 20 SR 1/2" WD	102622
	20	G 3/4"	16	58	20,5	16	32	36	28	400	GEV 20 SR 3/4" WD	102630
	20	G 1"	16	62	22,5	18	41	36	38	400	GEV 20 SR 1" WD	102623
	20	G 1.1/4"	16	64	22,5	20	50	36	52	400	GEV 20 SR 1.1/4" WD	102629
	25	G 1/2"	12	61	23	14	41	46	44	400	GEV 25 SR 1/2" WD	102674
	25	G 3/4"	16	63	23	16	41	46	47	400	GEV 25 SR 3/4" WD	102678
	25	G 1"	20	65	23	18	41	46	48	400	GEV 25 SR 1" WD	102682
	25	G 1.1/4"	20	67	23	20	50	46	63	400	GEV 25 SR 1.1/4" WD	102680
	30	G 3/4"	16	66	24	16	46	50	58	400	GEV 30 SR 3/4" WD	102725
	30	G 1"	20	68	23,5	18	46	50	59	400	GEV 30 SR 1" WD	102721
	30	G 1.1/4"	25	70	23,5	20	50	50	66	400	GEV 30 SR 1.1/4" WD	102726
30	G 1.1/2"	25	75	26,5	22	55	50	77	400	GEV 30 SR 1.1/2" WD	102723	
38	G 1"	20	75	26	18	55	50	92	315	GEV 38 SR 1" WD	102760	
38	G 1.1/4"	25	77	26	20	55	60	94	315	GEV 38 SR 1.1/4" WD	102763	
38	G 1.1/2"	32	79	26	22	55	60	93	315	GEV 38 SR 1.1/2" WD	102764	

*Gerundete Werte / approx. Dimensions