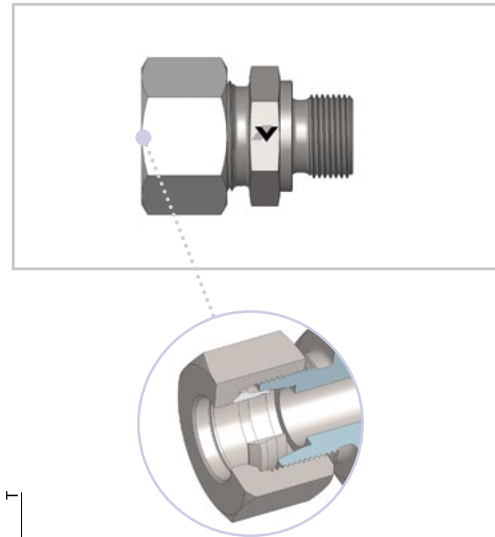
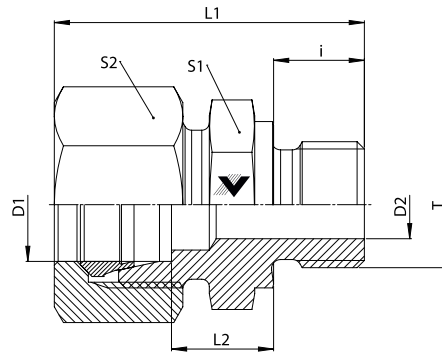


GEV - R

- Gerade Einschraubverschraubung
- L-Reihe
- Gewinde: Whitworth-Rohrgewinde zyl.
- Abdichtung durch metallische Dichtkante Form B

- Male Stud Connector
- L Series
- Thread: BSPP
- Metallic sealing edge Form B



GEV - R

Baureihe Series	D1 mm	T	D2 mm	L1* mm	L2 mm	i mm	S1 mm	S2 mm	Gewicht Weight g	PN bar	Bezeichnung Name	Artikel-Nr. Article No.
S	20	G 1/4"	5	54	20,5	12	32	36	250	400	GEV 20 SR 1/4"	123823
	20	G 3/8"	8	54	20,5	12	32	36	255	400	GEV 20 SR 3/8"	102626
	20	G 1/2"	12	56	20,5	14	32	36	260	400	GEV 20 SR 1/2"	102621
	20	G 3/4"	16	58	20,5	16	32	36	265	400	GEV 20 SR 3/4"	102619
	20	G 1"	16	62	22,5	18	41	36	370	400	GEV 20 SR 1"	102620
	20	G 1.1/4"	16	64	22,5	20	50	36	450	400	GEV 20 SR 1.1/4"	102628
	20	G 1.1/2"	16	69	25,5	22	55	36	615	400	GEV 20 SR 1.1/2"	102624
	25	G 1/2"	12	61	23	14	41	46	320	400	GEV 25 SR 1/2"	102673
	25	G 3/4"	16	63	23	16	41	46	400	400	GEV 25 SR 3/4"	102677
	25	G 1"	20	65	23	18	41	46	480	400	GEV 25 SR 1"	102672
	25	G 1.1/4"	20	67	23	20	50	46	640	400	GEV 25 SR 1.1/4"	102679
	25	G 1.1/2"	20	72	26	22	55	46	720	400	GEV 25 SR 1.1/2"	102675
	30	G 1/2"	12	64	23,5	14	46	50	560	250	GEV 30 SR 1/2"	102718
	30	G 1"	20	68	23,5	18	46	50	580	250	GEV 30 SR 1"	102717
	30	G 1.1/4"	25	70	23,5	20	50	50	620	250	GEV 30 SR 1.1/4"	102716
	30	G 1.1/2"	25	75	26,5	22	55	50	790	250	GEV 30 SR 1.1/2"	102722
	38	G 3/4"	16	73	26	16	55	60	915	250	GEV 38 SR 3/4"	102761
	38	G 1"	20	75	26	18	55	60	940	250	GEV 38 SR 1"	102759
38	G 1.1/4"	25	77	26	20	55	60	950	250	GEV 38 SR 1.1/4"	102762	
38	G 1.1/2"	32	79	26	22	55	60	960	250	GEV 38 SR 1.1/2"	102758	

*Gerundete Werte / approx. Dimensions