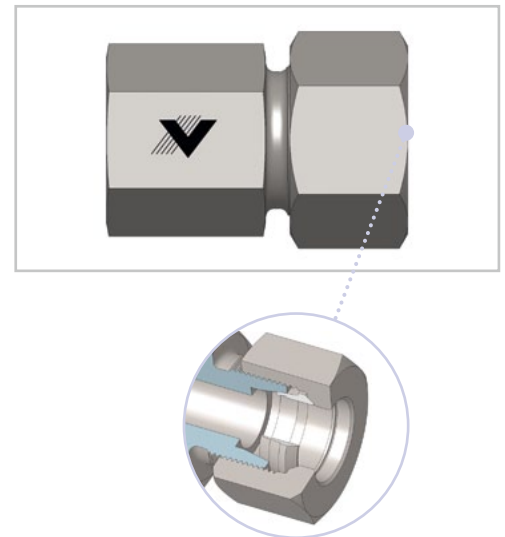
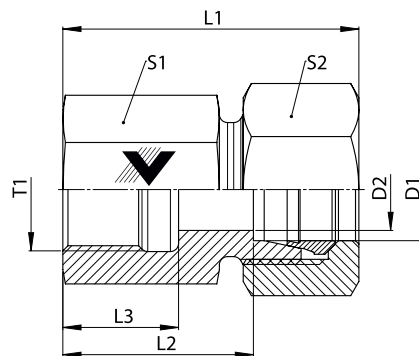


GAIV - R

- Gerade Aufschraubverschraubung
- L- und S-Reihe
- Aufschraubgewinde: Whitworth-Rohrgewinde zyl.

- Straight Female Connector
- L and S Series
- Female Thread: BSPP

**GAIV - R**

Baureihe Series	D1 mm	T1	D2 mm	L1* mm	L2 mm	L3 mm	S1 mm	S2 mm	Gewicht Weight g	PN bar	Bezeichnung Name	Artikel-Nr. Article No.
L	6	G 1/8"	4	34	19	11	14	14	30	315	GAIV 06 LR 1/8	102023
	6	G 1/4"	4	39	24	18	19	14	51	315	GAIV 06 LR 1/4	102025
	8	G 1/4"	6	39	24	18	19	17	56	315	GAIV 08 LR 1/4	102035
	8	G 3/8"	6	39	24	16	24	17	78	315	GAIV 08 LR 3/8	102038
	8	G 1/2"	6	44	29	20	27	17	97	315	GAIV 08 LR 1/2	102036
	10	G 1/4"	8	40	25	18	19	19	61	315	GAIV 10 LR 1/4	102049
	10	G 3/8"	8	40	25	16	24	19	84	315	GAIV 10 LR 3/8	102052
	10	G 1/2"	8	45	30	20	27	19	102	315	GAIV 10 LR 1/2	102050
	12	G 3/8"	10	41	26	16	24	22	93	315	GAIV 12 LR 3/8	102065
	12	G 1/2"	10	45	30	20	27	22	112	315	GAIV 12 LR 1/2	102066
	15	G 1/2"	12	46	31	20	27	27	134	315	GAIV 15 LR 1/2	102086
	18	G 1/2"	15	47	30,5	20	27	32	157	315	GAIV 18 LR 1/2	102100
	18	G 3/8"	10	44	27,5	16	27	32	163	315	GAIV 18 LR 3/8	102103
	22	G 3/4"	19	52	35,5	22	36	36	262	160	GAIV 22 LR 3/4	102112
	28	G 1"	24	55	38,5	24	41	41	309	160	GAIV 28 LR 1	102119
	35	G 1.1/4"	30	63	41,5	28	55	50	626	160	GAIV 35 LR 1.1/4	102124
42	G 1.1/2"	36	66	43	30	60	60	779	160	GAIV 42 LR 1.1/2	102130	
S	6	G 1/4"	4	41	26	18	19	17	62	400	GAIV 06 SR 1/4	102028
	8	G 1/4"	5	41	26	18	19	17	70	400	GAIV 08 SR 1/4	102040
	10	G 3/8"	7	43	26,5	16	24	22	102	400	GAIV 10 SR 3/8	102054
	12	G 3/8"	8	43	26,5	17	24	24	109	400	GAIV 12 SR 3/8	102073
	12	G 1/2"	8	47	30,5	20	27	24	159	400	GAIV 12 SR 1/2	102074
	14	G 1/2"	10	50	32	20	30	27	182	400	GAIV 14 SR 1/2	102077
	16	G 1/2"	12	50	31,5	20	27	30	198	400	GAIV 16 SR 1/2	102091
	20	G 3/4"	16	56	34,5	22	36	36	227	315	GAIV 20 SR 3/4	102105
	25	G 1"	20	61,5	37,5	24,5	41	46	461	315	GAIV 25 SR 1	102166
	30	G 1.1/4"	25	68,5	42	26,5	55	50	775	315	GAIV 30 SR 1.1/4	102121
38	G 1.1/2"	32	74,5	43,5	30	60	60	1011	250	GAIV 38 SR 1.1/2	102127	

*Gerundete Werte / approx. Dimensions