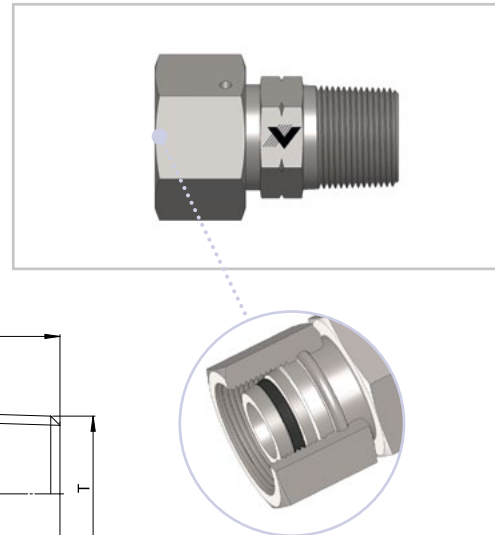
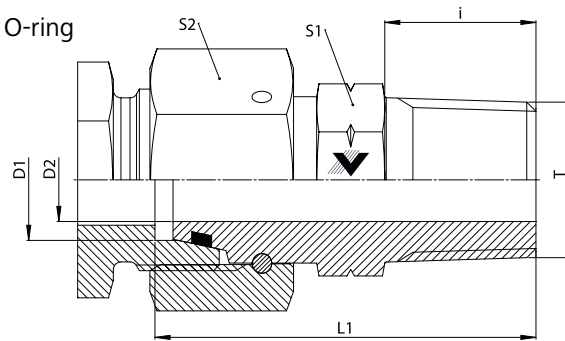


EGVD - NPT

- Gerader Einschraubstutzen
- mit 24° DKO-Dichtkegel und O-Ring Viton
- L- und S-Reihe
- Gewinde: NPT

- Swivel Connector
- with 24° DKO swivel and Viton O-ring
- L and S Series
- Thread: NPT



EGVD - NPT											
Baureihe Series	D1 mm	T	D2 mm	L1* mm	i mm	S1 mm	S2 mm	Gewicht Weight g	PN bar	Bezeichnung Name	Artikel-Nr. Article No.
L	6	1/8" NPT	3	34	10	14	17	23	315	EGVD 06 L 1/8 NPT	101432
	8	1/4" NPT	4	37,5	14,5	14	17	41	315	EGVD 08 L 1/4 NPT	207575
	10	1/4" NPT	6,5	42	15	17	19	44	315	EGVD 10 L 1/4 NPT	207576
	12	3/8" NPT	8	40	14,5	19	22	69	315	EGVD 12 L 3/8 NPT	207577
	15	1/2" NPT	10	49,5	19,5	22	27	127	315	EGVD 15 L 1/2 NPT	207578
	18	1/2" NPT	12	46	20	24	32	142	315	EGVD 18 L 1/2 NPT	207579
	22	3/4" NPT	17	48	20	30	36	200	160	EGVD 22 L 3/4 NPT	207580
	28	1" NPT	23	56	25	36	41	306	160	EGVD 28 L 1 NPT	200554
	35	1.1/4" NPT	28	65,5	25	46	50	486	160	EGVD 35 L 1.1/4 NPT	207582
S	42	1.1/2" NPT	34	68,5	26	50	60	662	160	EGVD 42 L 1.1/2 NPT	207583
	6	1/4" NPT	3	38	15,5	14	17	42	630	EGVD 06 S 1/4 NPT	207584
	8	1/4" NPT	4	39	15,5	14	19	47	630	EGVD 08 S 1/4 NPT	207585
	10	3/8" NPT	6	40,5	14,5	19	22	75	630	EGVD 10 S 3/8 NPT	207586
	12	3/8" NPT	8	42	14,5	19	24	81	630	EGVD 12 S 3/8 NPT	207587
	14	1/2" NPT	9	51	20	22	27	131	630	EGVD 14 S 1/2 NPT	207588
	16	1/2" NPT	11	50	20	22	30	145	400	EGVD 16 S 1/2 NPT	207589
	20	3/4" NPT	14	54	19,5	27	36	221	400	EGVD 20 S 3/4 NPT	207590
	25	1" NPT	18	65,5	25	36	46	422	400	EGVD 25 S 1 NPT	207591
30	1.1/4" NPT	23	70,5	25	46	50	628	400	EGVD 30 S 1.1/4 NPT	207592	
38	1.1/2" NPT	30	73,5	26	50	60	770	315	EGVD 38 S 1.1/2 NPT	207574	

*Gerundete Werte / approx. Dimensions