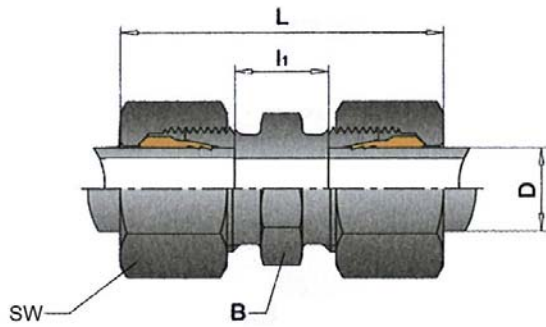


ES 35

Gerade Einschraubverschraubungen, Gewinde nach ISO 7-1

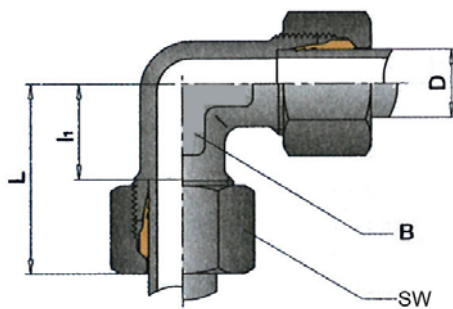
Artikel Nr.	Ident Nr.	PN	Ø D mm	Gewinde	i mm	SW mm	B mm	L mm	l ₁ mm
ES 21	112371	100	4	R 1/8	8,0	10	10,0	25,5	16,0
ES 23	112372	100	6	R 1/8	8,0	12	11,0	26,0	14,5
ES 24	112373	100	8	R 1/8	8,0	14	12,0	28,0	16,5
ES 25	112374	315	6	R 1/8	8,0	14	12,0	30,5	16,0
ES 26	112375	315	8	R 1/8	8,0	17	14,0	34,2	16,0
ES 28	112376	315	6	R 1/4	12,0	14	14,0	34,5	20,0
ES 29	112377	315	8	R 1/4	12,0	17	14,0	35,0	20,0
ES 30	112378	315	10	R 1/4	12,0	19	17,0	36,0	21,0
ES 31	112379	315	12	R 1/4	12,0	22	19,0	40,6	22,0
ES 33	112380	315	6	R 3/8	12,0	14	17,0	38,5	21,0
ES 34	112381	315	8	R 3/8	12,0	17	17,0	39,2	21,0
ES 35	112382	315	10	R 3/8	12,0	19	17,0	36,0	21,0
ES 36	112383	315	12	R 3/8	12,0	22	19,0	37,0	22,0
ES 37	112384	315	15	R 3/8	12,0	27	24,0	42,3	23,0
ES 38	112385	315	8	R 1/2	14,0	17	22,0	42,2	24,0
ES 39	112386	315	10	R 1/2	14,0	19	22,0	42,8	24,0
ES 40	112387	315	12	R 1/2	14,0	22	22,0	39,0	24,0
ES 41	112388	315	15	R 1/2	14,0	27	24,0	40,0	25,0
ES 42	112389	315	18	R 1/2	14,0	32	27,0	42,0	25,5
ES 43	112390	160	18	R 3/4	16,0	32	32,0	49,2	28,5
ES 44	112391	160	22	R 3/4	16,0	36	32,0	46,0	29,5



ES 55

Gerade Verschraubungen

Artikel Nr.	Ident Nr.	PN	Ø D mm	SW mm	B mm	L mm	l ₁ mm
ES 50	112392	100	4	10	9,0	31,0	12,0
ES 52	112393	100	6	12	11,0	32,0	9,0
ES 53	112394	100	8	14	12,0	35,0	12,0
ES 54	112395	315	6	14	12,0	39,0	10,
ES 55	112396	315	8	17	14,0	40,0	11,0
ES 56	112397	315	10	19	17,0	42,0	13,0
ES 57	112398	315	12	22	19,0	43,0	14,0
ES 58	112399	315	15	27	24,0	46,0	16,0
ES 59	112400	315	18	32	27,0	48,0	16,0
ES 60	112401	160	22	36	32,0	52,0	20,0



ES 75

Winkel-Verschraubungen

Artikel Nr.	Ident Nr.	PN	Ø D mm	SW mm	B mm	L mm	l ₁ mm
ES 70	112402	100	4	10	9,0	21,0	11,0
ES 72	112403	100	6	12	9,0	21,0	9,5
ES 73	112404	100	8	14	12,0	23,0	11,5
ES 74	112405	315	6	14	12,0	27,0	12,0
ES 75	112406	315	8	17	12,0	29,0	14,0
ES 76	112407	315	10	19	14,0	30,0	15,0
ES 77	112408	315	12	22	17,0	32,0	17,0
ES 78	112409	315	15	27	19,0	36,0	21,0
ES 79	112410	315	18	32	24,0	40,0	23,5